



P.O. Box 247, 4800 St. Rte. 125  
 West Union, OH 45693  
 Phone: 937-544-2305  
 Toll-free 1-800-283-1846

# Rural Electric Cooperative, Inc.

## Trustees

Charles L. Newman..... President  
 Charles Grimes.....Vice President  
 Kenneth McCann .....Secretary  
 Blanchard Campbell     M. Dale Grooms  
 Stephen Huff     Donald C. McCarty Sr.  
 William Seaman     William Wylie

## Personnel

**Bill Swango .....General Manager**  
 Erika Ackley     Rodney Little  
 Alice Baird     Ronald Lynch  
 Monica Baldwin     Dave McChesney  
 August Brooks     Kristina Orr  
 Rex Chapman     John Polk  
 Joyce Grooms     David Ralston  
 Keith Grooms     Jack Ross  
 Ronald Carl Hanson     Donnie Shoemaker  
 John Hayslip     Kimberly Smith  
 David Henry     Gary Tolle  
 Steve Hoop     Mike Whitley  
 Dave Kirker     Charlotte Willett  
 Chris Koenig

## Pay stations

**Failure to receive your electric bill in no way relieves you, the member, from paying it. If you do not receive your bill, contact the office before the due date and we will issue another.**

**For the convenience of Adams REC members, we have established several ways to pay your bill:**

Pay online at [www.adamsrec.com](http://www.adamsrec.com).  
 Pay by phone at 1-800-809-6352.  
 Pay directly from your bank account.

### Pay at these collection points:

The 5/3 Bank of Southern Ohio  
 Manchester, Peebles, West Union

The First State Bank of Adams County  
 Manchester, Seaman, Winchester,  
 Peebles and West Union

The National Bank of Adams County  
 218 N. Market St., West Union  
 A Touchstone Energy® Cooperative


## Power delivery – a complex system

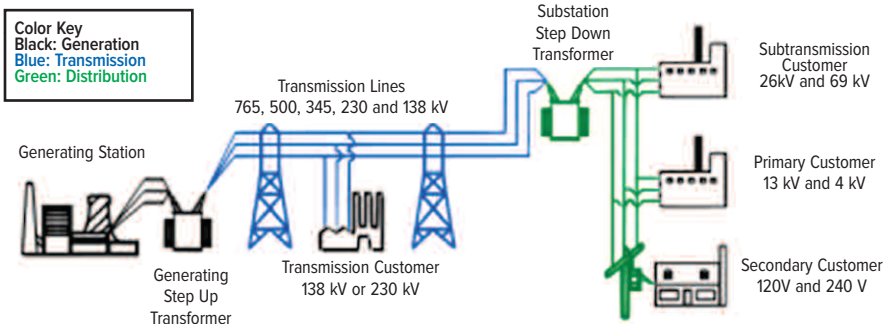
Sometimes we go to the wall switch, a lamp, a remote for an appliance and we expect that when we flip the switch, turn the lamp on or press a button on the remote, we will magically have power. We take it for granted most of the time and we don't consider the complexity of getting the power to that switch or appliance.

The electric grid is like a big highway system. First it must be generated, and that can be by a number of different ways: coal, nuclear, wind, solar and hydro along with generation from methane from landfills and biodigesters from large animal farms. All this generation is then put out on the electric grid, and some of it may travel hundreds of miles. First, you have the transmission grid, which brings the generation from the power plants to local areas. Although Adams REC's power supplier, Buckeye Power, generates electricity, it does not own any transmission lines. Adams doesn't own transmission lines either except for one half mile going to our Peebles substation. Transmission voltages vary in capacities (see diagram below).

**General Manager's Report**

by  
*Bill Swango*





The transmission lines then go to substations or meter points where the voltage steps down from the transmission voltage to the distribution voltage. Here, at our cooperative, the distribution voltage is 7,200. The electricity then travels to your farms, homes and businesses for use by you.

Neither Buckeye Power nor our cooperative can control the reliability of the transmission lines. Many times an outage will be from the transmission provider, and, to be perfectly honest, we are at their mercy.

Recently our Emerald substation experienced a transmission outage and was out for several hours. We were able to do some switching to another substation and get our residential customers back on, but not the largest commercial account that we serve. The outage lasted for about eight hours.

(Continued on page 21)

# This-n-that

BY ALICE L. BAIRD

## Hot summer

As I glanced through my article for this time last year, I noticed that I began by commenting on what a hot summer it had been. At the risk of repeating myself (which I've begun to do often, they tell me), let me say again, "What a summer!" So hot for so long; air conditioners were working overtime to bring relief from the relentless heat, which of course leads to higher utility bills no matter who supplies your service.

Spring seemed as if it was never going to arrive, then so much rain was followed by the overpowering heat. But take heart, in a short time we can complain about the cold, snow and ice. It does appear that we humans can never be satisfied.

## Adams County Fair

As always, continuing what has apparently become a tradition, we had a pretty good storm to start off fair week. There was lots of lightning and thunder. We had several outages as a result. Thank you all for your patience while our guys were working hard to get everyone's power restored.

Thank you to all who stopped by the Adams Rural Electric booth. Congratulations to Suzanne Huffman, who was the winner of the microwave that was given away. I am sure that you will enjoy it.

One of the Seven Cooperative Principals is Concern for the Community. Adams REC is proud to have fulfilled this principle by supporting the fair through donations toward prizes, and the purchase of livestock, such as Grand Champion lamb, Grand Champion market goat, Grand Champion market hog, Reserve Champion goat and other livestock, as well as dairy butter and cookies. In all, Charles Newman and Kenneth McCann, Adams REC Fair Buyer's Committee, contributed toward 26 area projects.

## Annual Meeting

The 71st Annual Meeting of the Members of Adams Rural Electric Cooperative, Inc., has come and gone. I hope everyone enjoyed the meeting. I will have highlights in the October *Country Living* magazine.

School has begun and that means little ones are traveling to and from their respective buildings. Always keep an eye out for these little guys. Some of them are not used to watching out for traffic or older students.

Remember that the office will be closed on Monday, Sept. 5, for Labor Day. I hope yours is safe and happy. 3500447900

If you need information concerning the youth programs, capital credits or calendar of events, or have any other questions or comments, please feel free to contact me at the office. Just ask for Alice.

## White zucchini

BY ALICE L. BAIRD

Junior Hoffer, shown here with his white zucchini, has lived in the Peebles area for more than 25 years. He is an avid gardener with three large gardens this year.

Junior is not quite sure how the white zucchini came to be. He purchased zucchini seed, planted them and, out of 20 plants, one plant produced two white zucchini. He kept the largest one and planted the seeds, which produced only one plant out of fifteen seeds, and it was green. This year he planted the seeds from the green zucchini. Three plants came from that seed and all produced white zucchini. Junior says they are 18-20 inches long and about 5 inches in diameter.

Mmmm, I am thinking about zucchini bread!



## Paige Newman participates in Youth Tour

Paige Newman of Peebles joined 32 other Ohio students from cooperatives across the state of Ohio on the 2011 Ohio Rural Electric Cooperatives, Inc., Youth Tour to Washington, D.C., June 10-16.

Students from cooperatives across the nation traveled to our nation's capital for this year's youth tour. The trip is part of the National Rural Electric Cooperatives Youth Tour that takes place each June and has been ongoing for more than 40 years. The students had the opportunity to visit the Lincoln and Jefferson memorials, the Library of Congress, Smithsonian museums, George Washington's home at Mount Vernon, the White House and Arlington National Cemetery. It is a wonderful experience for the participants.

Paige is the daughter of Charles and Kimberly Newman.

To find out more about the Youth Tour, visit [www.youthtour.coop](http://www.youthtour.coop).



## Power delivery – a complex system

(Continued from page 19)

Three weeks later at the same substation, we were told by the transmission company that they would be taking us off-line for some repairs on the transmission line. This outage lasted about two hours because they ran into some difficulties during the process. They were supposed to go through the same process three days later but finished a day early and called us on the morning they wanted to do the switching again. This caused another outage that lasted about an hour and a half.

We have made many improvements in our distribution system over the last 10 years, but unless the transmission companies get the power to us, we just have poles and wires in the air. So the next time you flip on a switch, turn on a lamp or push a remote control button think about the complexity of the bulk electric system and what it takes to get the power to you, our member-owners.

### Hidden account number credit

Find your account number in the LOCAL PAGES (the four center pages of this magazine), then call our office and you will receive a \$20 credit on your electric bill. You must call by the end of the month in which your account number appears.

### Capital credits

Capital credits refunded to the estates of Adams Rural Electric Co-op members for for July 2011 totaled \$12,788.16. Estates paid in 2011 total \$52,522.38.

In case of the death of a member of Adams Rural Electric, contact Alice Baird at 937-544-2305 or 1-800-283-1846.

**WE MADE PAYING YOUR BILL EASIER**  
**3 ways to pay with:**  
**NO ENVELOPES!**  
**NO STAMPS!**  
**NO DRIVING!**

- ONLINE AT OUR WEBSITE
  - BY PHONE
  - DIRECT PAYMENT
- FROM YOUR BANK ACCOUNT**

\*Pay online at [www.adamsrec.com](http://www.adamsrec.com); just click on the "Pay Your Bill" link and follow the instructions. You can pay by credit/debit card or from your checking/savings account.

\*Pay by phone with our Payment Hotline. Dial 1-800-809-6352 and follow the directions. You can pay by credit/debit card or from your checking/savings account.

\*Call the office to sign up for Direct Payment from your bank account.

If you have any questions, call the office at 937-544-2305.

# Adams County area calendar of events

## September

- 1 Adams County Junior Fair Beef Barbecue** from 5 to 7:30 p.m. at the Ohio Valley Career and Technical School, West Union. Contact Corbett Phipps at 937-544-2336.
- 2-4 Winchester Caramel Festival.**  
Contact Leona Inskeep at 937-695-0950.
- 3 Wheat Ridge Art Market Arts & Crafts Sale** from 9 a.m. to 5 p.m. at Millers Bakery & Furniture, Wheat Ridge Road.  
For more information contact 937-544-4620.
- 3 14th Annual Amish School Benefit Cookout** at Miller Bakery & Furniture on Wheat Ridge Road.  
Contact Miller's at 937-544-8524.
- 3 Archaeology & Geology Day** from 10 a.m. to 5 p.m. at Serpent Mound. Learn about the Serpent Mound Crypto Explosion Area.  
Call 937-587-3953 for more information.
- 9-11 Bentonville Harvest Festival.** Friday evening, Saturday and Sunday at Bentonville.  
Contact Sue Naylor at 937-549-3360.
- 10-18 National Muzzle Loading Rifle Assn.'s National Championship Shoot,** Friendship, Ind. Black powder shooting competitions, early American crafts, classes, demonstrations, displays, lectures and more. Admission is charged. Contact 1-800-745-1493, nmlra@nmlra.org, www.nmlra.org.
- 15-18 42nd Annual Peebles Old Timers Days.** For information contact Marie Palmer at 937-587-3749.
- 21-24 Seaman Fall Festival.** Contact Doris Bailey at 937-386-2083.
- 23 Wheat Ridge Amish School Benefit Auction & Supper.** Supper starts at 4 p.m. and auction at 5. Ridge Way Lumber on Wheat Ridge.  
Contact 937-544-7566.
- 24 Soup Super Benefit** for the Loudon one-room schoolhouse from 5 to 7 p.m. at the Bratton Township Hall on Loudon Road.  
Contact Mary Fulton at 937-587-2043.
- 25 Page One-Room Schoolhouse** event off Vaughn Ridge Road. From 2 to 4 p.m.  
Contact Mary Fulton at 937-587-2043.

## October

- 1 34th Annual Miller's Anniversary Customer Appreciation Day** at Miller Bakery & Furniture on Wheat Ridge Road.  
Contact Miller's at 937-544-8524.
- 1-2 10th Annual Old Fashion Draft Horse, Mule and Pony Field Days** at Glen-Dale Park, 2915 Fawcett Road, six miles south of Peebles.  
Contact Dale Grooms at 937-544-3123.
- 1-2 Caraway's Fall Pumpkin Days** at Caraway Farms at 8450 Blue Creek Road in Blue Creek.  
Contact Angela at 937-544-7292.
- 7-9 Wheat Ridge Olde Thyme Herb Fair & Harvest Celebration** on Tater Ridge Road.  
Contact Kim Erwin at 937-544-8252.
- 7-9 Appalachian Mountain Artisans Festival** Hosted by Hilltop Designs in Winchester.  
For information call 937-695-5545.
- 15-16 Adams County Civil War Days** at the historical John T. Wilson Home in Tranquility.  
Contact the Adams County Travel & Visitors Bureau or johntwilsonhomestead.com
- 15 Horse Drawn Hayride Day** at Good Seed Farm in Peebles from noon to 4 p.m.  
Contact 937-587-7021 or goodseedfarm.com.
- 16 Jack Roush Day** from noon to 5 p.m. in Manchester.  
Contact Buster Ruark at 937-549-3628.
- 30 Page One-Room Schoolhouse** event off Vaughn Ridge Road. From 2 to 4 p.m.  
Contact Mary Fulton at 937-587-2043.